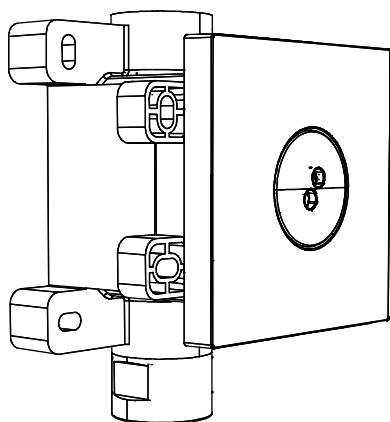


**160.6415 | 1/2" Spin Body Jet With Concealed Valve**



**SPECIFICATIONS:**

- 1.05 GPM Flow Rate @ 60 PSI
- Includes Concealed In-Wall Valve
- Water spins out.

**FAST SHIP FINISHES :**

- Chrome - 160.6415CP, Brushed Nickel - 160.6415BN

**STANDARDS:**

- ASME A112.18.1 / CSA B125.1

Legislation Compliance



ZeroDrip Technology



**Technical Diagram**

